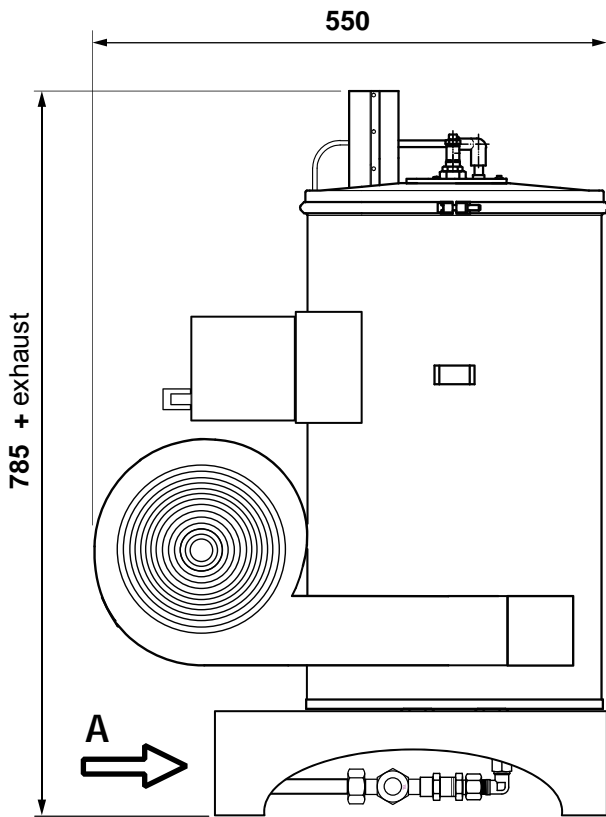
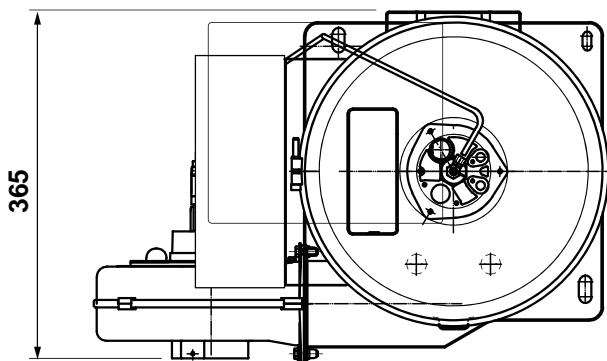
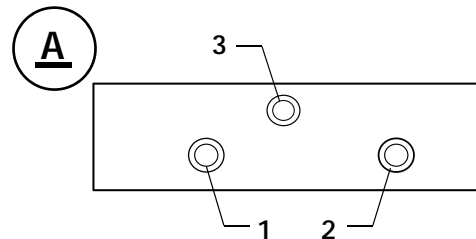


**TECHNICAL SPECIFICATION AND DIMENSIONS**



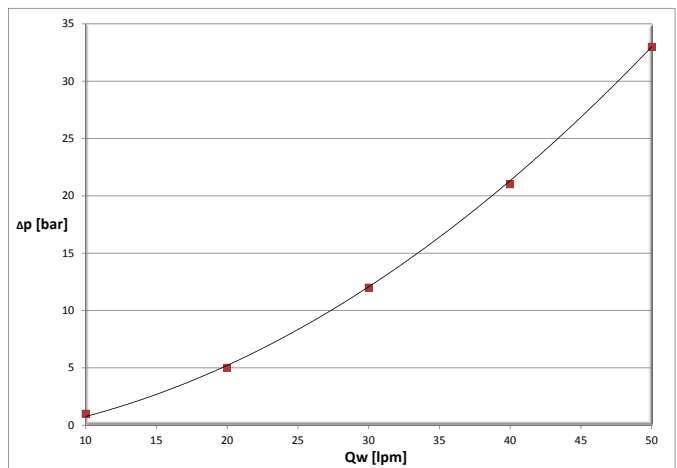
WHU water heater, producing hot water or steam, is ideal in demanding cleaning tasks. High water temperature greatly enhances impact effect and water jet scouring capacity.  
 The unit is to be connected to pressure line of Dynaset HPW high pressure pump.  
 Especially intended for mobile use, oil fired WHU unit runs connected to on-board electric system of a motor vehicle.  
 WHU heating capacity is 110 kW. Electric supply 12 VDC or 24VDC and equipped with logic control.  
 Fuel consumption 13,5 l/h

WATER PORTS		
Water in 1.	Water out 2.	Over flow 3.
R 1/2"	R 1/2"	R 3/8"



**Pressure drop:**

Qw / lpm	10	20	30	40
$\Delta p$ / bar	1	5	12	21



Power C	P max	Q water		Diesel fuel consumption	Supply voltage	Weight
		15 lpm	30 lpm			
110 kW	200 bar	$\Delta t$ out 96 °C	$\Delta t$ out 48 °C	13,5 l/h	12 or 24 VDC	88 kg