

rev 1.0

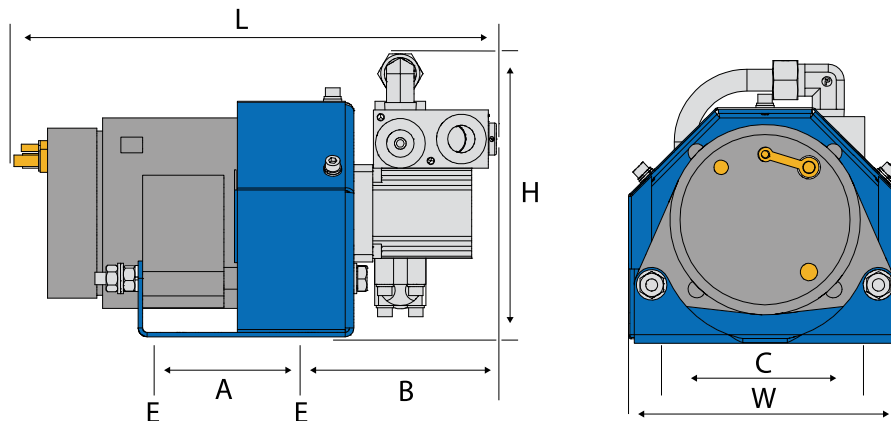
DATA SHEET

HG HYDRAULIC GENERATOR



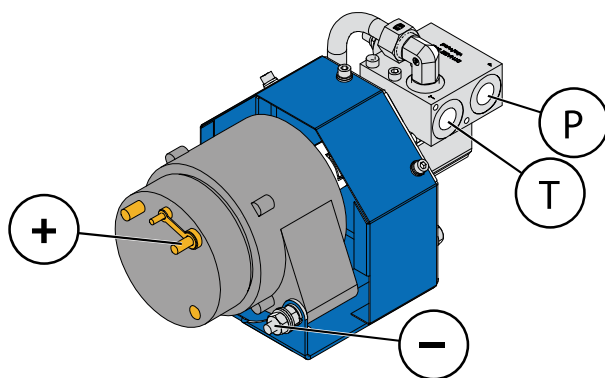
HG1kW-14VDC23-12-K
HG1kW-28VDC23-12-K
HG2kW-28VDC23-24-K

DIMENSIONS



MODEL	DIMENSIONS, mm (in)							WEIGHT kg (lbs)
	L	W	H	A	B	C	E	
HG1kW-14VDC23-12-K	335 (13.2)	190 (7.5)	195 (7.7)	88 (3.5)	128 (5.0)	124 (4.9)	Ø6,8 (0.3)	10 (22)
HG1kW-28VDC23-12-K	335 (13.2)	190 (7.5)	195 (7.7)	88 (3.5)	128 (5.0)	124 (4.9)	Ø6,8 (0.3)	10 (22)
HG2kW-28VDC23-24-K	335 (13.2)	190 (7.5)	195 (7.7)	88 (3.5)	128 (5.0)	124 (4.9)	Ø6,8 (0.3)	11 (24)

HYDRAULIC PORTS



MODEL	PRESSURE LINE	RETURN LINE
	P	T
HG1kW-14VDC23-12-K	BSP 1/2"	BSP 1/2"
HG1kW-28VDC23-12-K	BSP 1/2"	BSP 1/2"
HG2kW-28VDC23-24-K	BSP 1/2"	BSP 1/2"

TECHNICAL SPECIFICATIONS

		HG1kW- 14VDC23- 12-K	HG1kW- 28VDC23- 12-K	HG2kW- 28VDC23- 24-K
OUTPUT CHARACTERISTICS				
Output Power max.	kW	1,0	1,0	2,0
Output Voltage	V	14 VDC	28 VDC	28 VDC
Nominal Current	A	70	35	70
Frequency	Hz	-		
IP		23		
Sockets (1 phase/3 phase/cable K)		- / - / K	- / - / K	- / - / K
HYDRAULIC POWER REQUIREMENTS				
Flow min.	l/min (gpm)	14 (3.7)	14 (3.7)	26 (6.9)
Flow max.	l/min (gpm)	34 (9.0)	34 (9.0)	44 (11.6)
Pressure at nominal power output	bar (psi)	120 (1700)	120 (1700)	120 (1700)
Pressure max.	bar (psi)	210 (3000)	210 (3000)	210 (3000)
Pressure when unloaded	bar (psi)	30 (440)	30 (440)	30 (440)
HYDRAULIC FLUID REQUIREMENTS				
Viscosity	cSt	10-200 / optimum 25-35		
Temperature	°C (°F)	max. 70 (158)**		
Filter ratio	µm	25 or better		
Cleanliness level	ISO 4406	19/17/14		
Cooling capacity requirements	kW	0,5	0,5	0,5

Gallons are U.S. liquid gallons

* Depending on the hydraulic fluid.

Other options available by request.