

P-1095

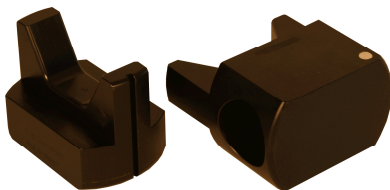
Hydraulischer Presskopf Hydraulic Crimping Head

High-End-Modell in unserer neu entwickelten Reihe von hydraulischen Pressköpfen

- ☉ Stabile und Kompakte Konstruktion
- ☉ Zum Anschluss an eine Hydraulikpumpe für einfachwirkende Werkzeuge
- ☉ 825 kN bei 700 bar
1000 kN bei 850 bar
- ☉ Hub: 40 mm
- ☉ Einsätze Ø95mm

High-end model in our newly designed range of hydraulic crimping heads

- ☉ Light weight and compact design
- ☉ For the connection to a hydraulic pump for single acting tools
- ☉ 825 kN at 10.000 PSI
1000 kN at 12.142 PSI
- ☉ Stroke: 40 mm
- ☉ Dies Ø95mm



Presseinsätze / Crimping die

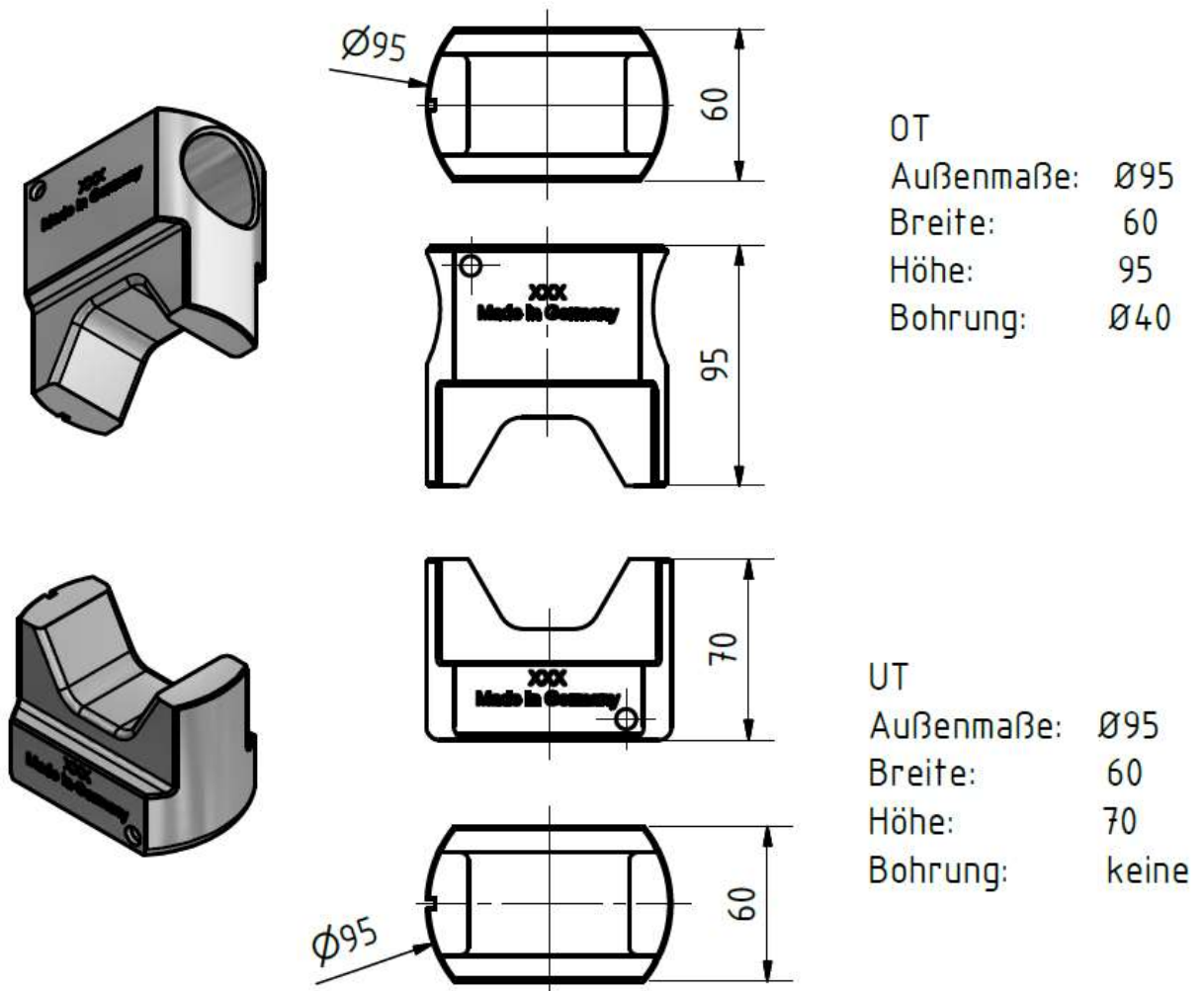


Einsatzführung / Insert guide



Typ Type	Presskraft Press Power kN	Kupfer DIN Copper DIN mm ²	Aluminium Aluminum mm ²	Abmessung Dimension mm	Gewicht Weight kg
P-1095	825 kN @ 700 bar 1000 kN @ 850 bar	2000	2000	355x205xH155	27

P-695 / P-795 / P-1095
Presseinsätze Serie D95
Crimping dies series D95



Gewicht / Weight: ~4000 g

Einsatz / Insert

P-695 / P-795 / P-1095
Presseinsätze Serie D95 (Ø95mm)
Crimping dies series D95 (Ø95mm)


Typ Type	Kennzahl Size code	Pressbreite Crimping width	Kupfer DIN zugentlastet Copper DIN non-tension	Kupfer DIN zugfest Copper DIN full-tension	Aluminium zugentlastet Aluminum non-tension	Aluminium zugfest Aluminum full-tension	Aluminium-Hülse Aluminum sleeve	Stahl-Hülse Steel sleeve	Aldreyseil Aldrey cable
		mm	mm ²	mm ²	mm ²	mm ²	mm ²	mm ²	mm ²
PK44-D95-B25	44	25	625	---	---	---	---	---	---
PK44-D95-B40	44	40	---	---	500	---	---	---	---
PK46-D95-B25	46	25	---	500	---	---	---	---	---
PK46-D95-B40	46	40	---	---	---	---	340/110 435/55 450/40	---	---
PK50-D95-B25	50	25	---	625	---	---	---	---	---
PK50-D95-B40	50	40	---	---	---	---	495/35 510/45 490/65	---	---
PK52-D95-B25	52	25	800	---	---	---	---	---	---
PK52-D95-B40	52	40	---	---	625	---	570/40 560/50 550/70	---	---
PK58-D95-B25	58	25	1000	800	800	---	650/45 680/85	---	---
PK60-D95-B20	60	20	1200	---	1000	---	---	---	---
PK60-D95-B25	60	25	---	---	1000	---	---	---	---
PK62-D95-B20	62	20	1200	1000	---	---	---	---	---
PK62-D95-B25	62	25	---	---	---	---	1045/45	---	---
PK70-D95-B20	70	20	1400	1200	1400	---	---	---	---
PK72-D95-B20	72	20	---	1600	---	---	---	---	---
PK76-D95-B20	76	20	1600	---	1600	---	---	---	---

DIN 48083 endet mit Kennzahl 58. Fragen Sie Ihren Lieferanten für Verbinder, mit welcher Kennzahl sein Verbinder gepresst werden muss.

DIN 48083 ends with code number 58. Ask your connector supplier which code number must be used to press their connector.